

### Specifications:

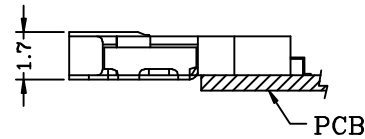
Poles	14,20,30 Poles
Pitch between poles	1.00mm
Rated Voltage	200V AC,DC
Rated Current	1A (AWG #30)
Withstand Voltage	500V AC/minute
Contact Resistance	40mΩ (MAX.)
Insulation Resistance	100MΩ (MIN.)
Temperature Range	-40~+80°C
Applicable Wire Range	AWG #30~#36

UL Recognized No. E144544

RoHS II-specification and Halogen-free products.

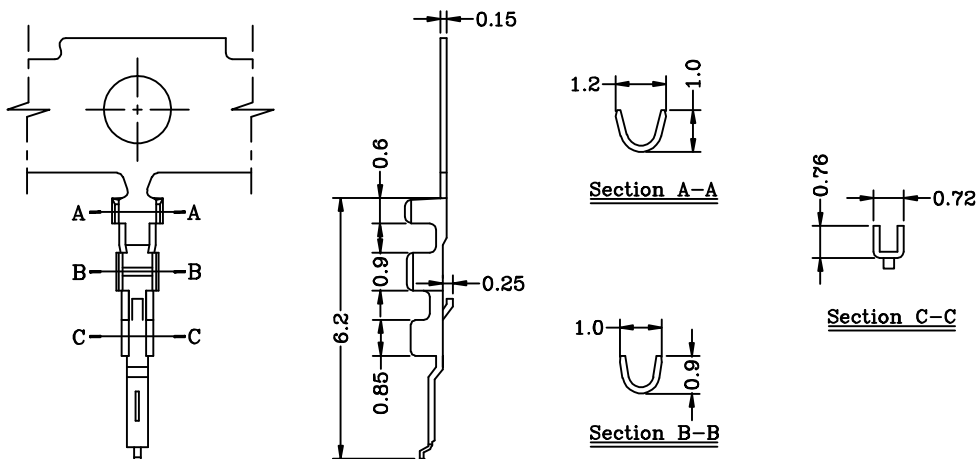
Note: Not applicable to all parts. For specific safety and compliance issues, contact JWT for details.

### Assembly Layout



### Features:

- \* Used in JWT A1001 series socket

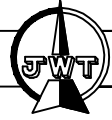


### Specification & Ordering Information:

Part No	Wire Range	Insulation O.D.	Material	Finish	Qty/Reel
A1001TOP-0*	AWG #30~#36	0.75mm(max)	Phosphor bronze	Au over Nickel	20,000 pcs

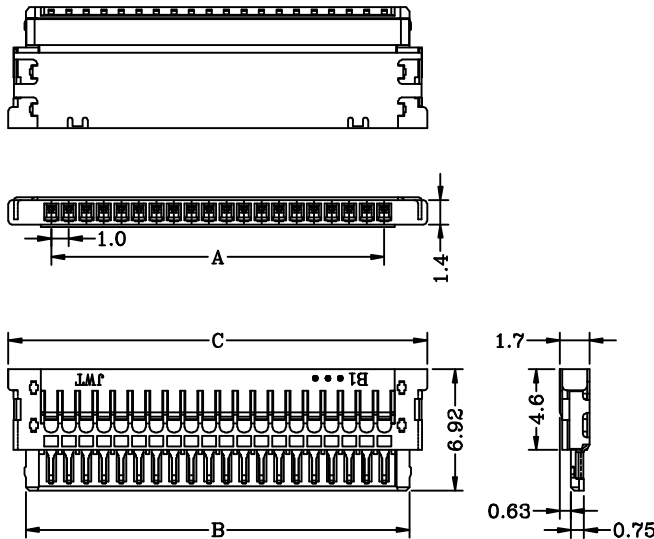
Note: \* (eg. 0, A, B...) designates Au-plate thickness identification.  
For availability, delivery and MOQ, contact JWT.

# A1001 Series 1.00mm pitch HSDT crimp terminal socket



## Features:

- \* Material : Insulator: LCP UL 94V-0 (Milky Yellow)  
Shell: 0.15mm<sup>t</sup> Copper Alloy, Tin plated
- \* Suitable for JWT A1001 series terminal
- \* JWT P/N : A1001HS0-NP



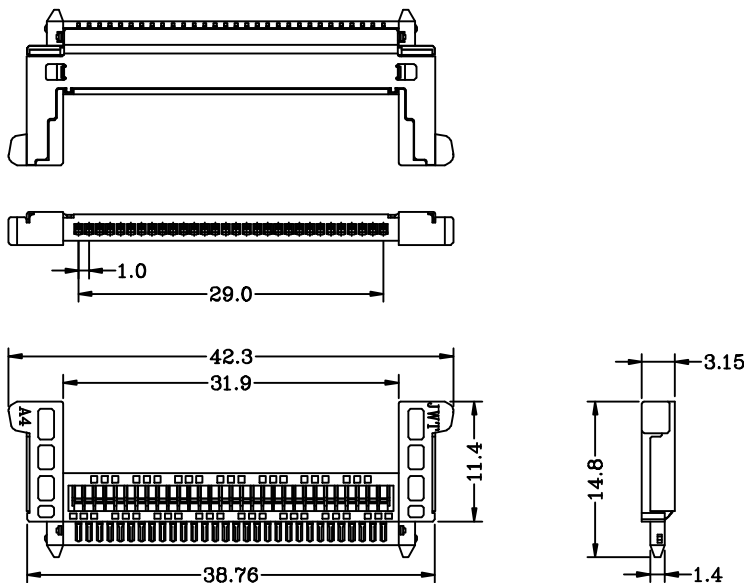
## Dimensional & Ordering Information:

Circuits	Dimensions			Qty/Bag
	A	B	C	
14	13.0	15.9	17.9	500
20	19.0	21.9	23.9	500
30	29.0	31.9	33.9	500

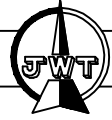
# A1001 Series 1.00mm pitch HSDT crimp terminal socket

## Features:

- \* Material : Insulator: LCP UL 94V-0 (Milky Yellow)  
Shell: 0.20mm<sup>t</sup> Copper Alloy, Tin plated
- \* Suitable for JWT A1001 series terminal
- \* JWT P/N : A1001HS0-30P-FIE-HF

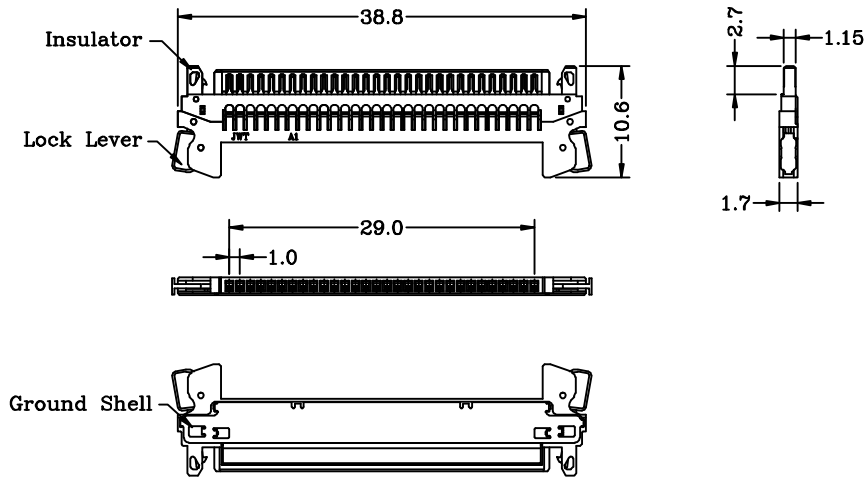


# A1001 Series 1.00mm pitch HSDT crimp terminal socket



## Features:

- \* Material : Insulator: LCP UL 94V-0 (Milky Yellow)  
Lever / Shell: Stainless Steel
- \* Suitable for JWT A1001 series terminal
- \* JWT P/N : A1001HS0-30P-HL-HF



# A1001 Series 1.00mm pitch HSDT crimp terminal socket

## Features:

- \* Material : Insulator: Nylon 46 UL 94V-0 (Black)  
Lock Lever: 0.30mm<sup>t</sup> Stainless steel  
Ground Shell: 0.20mm<sup>t</sup> Copper Alloy, Tin plated
- \* Suitable for JWT A1001 series terminal
- \* JWT P/N : A1001HS0-30P-FIEHL

