

Connector Product Number

A1002 ^{**} # -NP [*] - ^{**}					
①	②	③	④	⑤	⑥
① Series No : A1002	② Connection Type H0 : Terminal socket WV : Straight-angle wafer WR : Right-angle wafer		④ No. of contacts (NP) NP : Single row 2xNP : Dual row		⑥ Void circuit(s) (A~Z)# : Void pin Contact Post finish (Blank) : As specified 5e : Matte-tin over Nickel 0* : Gold over Nickel
③ Flame Class 0 : UL Rated 94V-0			⑤ Product color / Mount type Blank : Natural color S : SMT-type wafer		

Note: * (eg. 0, A, B...) designates Au-plate thickness identification.
For availability, delivery and MOQ, contact JWT.

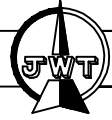
Specifications:

Poles	2~50 Poles
Pitch between poles	1.00mm
Rated Voltage	50V AC,DC
Rated Current	1A (AWG #28)
Withstand Voltage	500V AC/minute
Contact Resistance	20mΩ (MAX.)
Insulation Resistance	100MΩ (MIN.)
Temperature Range	-25~+85°C
Applicable Wire Range	AWG #28~#32

UL Recognized No. E144544
 RoHS II-specification and
 Halogen-free products.

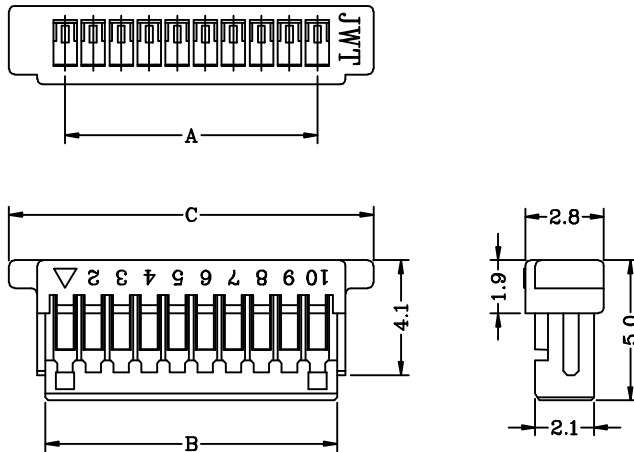
Note: Not applicable to all parts. For specific safety and compliance issues, contact JWT for details.

A1002 Series 1.00mm pitch single row terminal socket



Features:

- * Material : Nylon 66 UL 94V-0 +15%GF (NC) or Nylon 66 UL 94V-0 (White)
- * Suitable for JWT A1002 series terminal
- * JWT P/N : A1002H00-NP-**



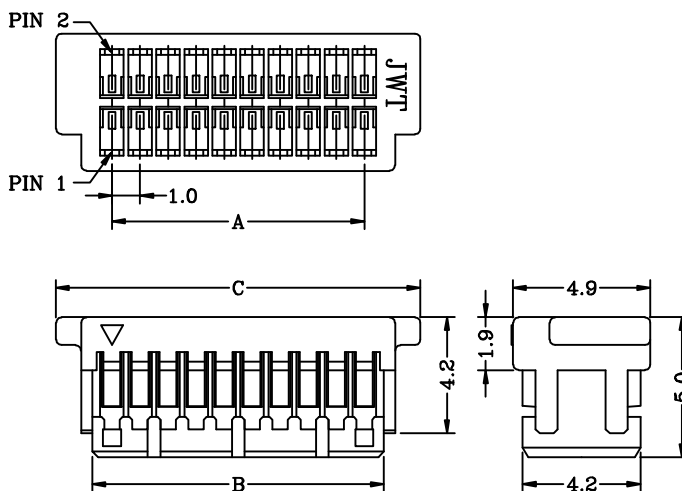
Dimensional & Ordering Information:

Circuits	Dimensions			Pcs/Bag
	A	B	C	
2	1.0	2.4	5.0	1000
3	2.0	3.4	6.0	1000
4	3.0	4.4	7.0	1000
5	4.0	5.4	8.0	1000
6	5.0	6.4	9.0	1000
7	6.0	7.4	10.0	1000
8	7.0	8.4	11.0	1000
9	8.0	9.4	12.0	1000
10	9.0	10.4	13.0	1000
11	10.0	11.4	14.0	1000
12	11.0	12.4	15.0	1000
13	12.0	13.4	16.0	1000
14	13.0	14.4	17.0	1000
15	14.0	15.4	18.0	1000
20	19.0	20.4	23.0	1000

A1002 Series 1.00mm pitch dual row terminal socket

Features:

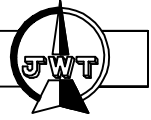
- * Material : Nylon 66 UL 94V-0 +15%GF (NC) or Nylon 66 UL 94V-0 (White)
- * Suitable for JWT A1002 series terminal
- * JWT P/N : A1002H00-2xNP-**



Dimensional & Ordering Information:

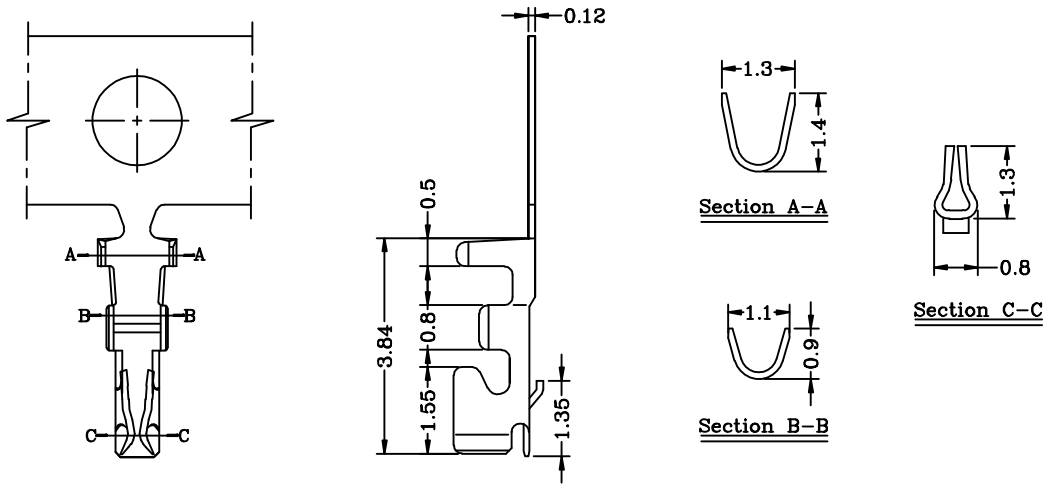
Circuits	Dimensions			Pcs/Bag
	A	B	C	
18	8.0	9.4	12.0	1000
20	9.0	10.4	13.0	1000
30	14.0	15.4	18.0	1000
40	19.0	20.4	23.0	1000
50	24.0	25.4	28.0	1000

A1002 Series 1.00mm pitch crimp terminal



Features:

* Used in JWT A1002 series socket



Specification & Ordering Information:

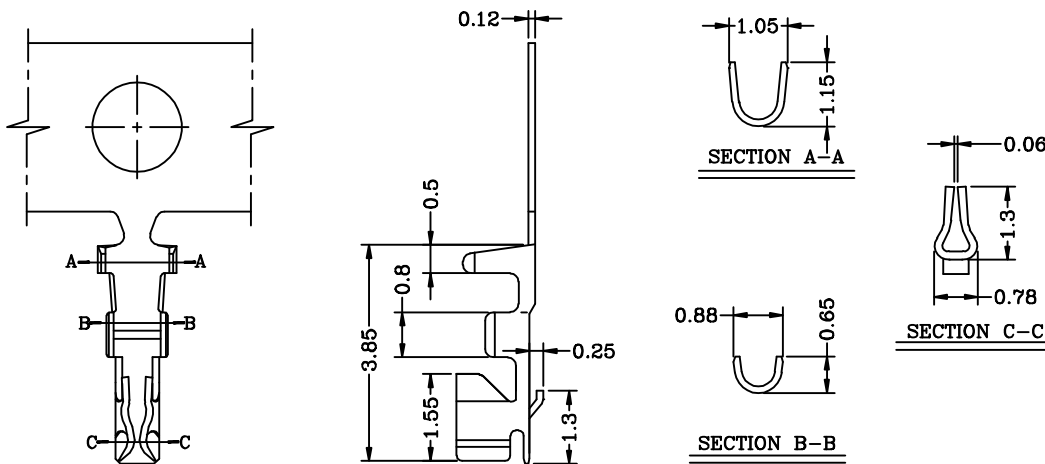
Part No	Wire Range	Insulation O.D.	Material	Finish	Qty/reel
A1002TOP-2	AWG #28~#32	0.80mm(max)	Phosphor bronze	Tin-plated	20,000 pcs
A1002TOP-0*	AWG #28~#32	0.80mm(max)	Phosphor bronze	Au over Nickel	20,000 pcs

Note: * (eg. 0, A, B...) designates Au-plate thickness identification.
For availability, delivery and MOQ, contact JWT.

A1002 Series 1.00mm pitch crimp terminal

Features:

* Used in JWT A1002 series socket

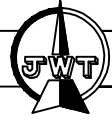


Specification & Ordering Information:

Part No	Wire Range	Insulation O.D.	Material	Finish	Qty/reel
A1002T1P-2	AWG #32~#36	ø0.30~0.50mm	Phosphor bronze	Tin-plated	20,000 pcs
A1002T1P-0*	AWG #32~#36	ø0.30~0.50mm	Phosphor bronze	Au over Nickel	20,000 pcs

Note: * (eg. 0, A, B...) designates Au-plate thickness identification.
For availability, delivery and MOQ, contact JWT.

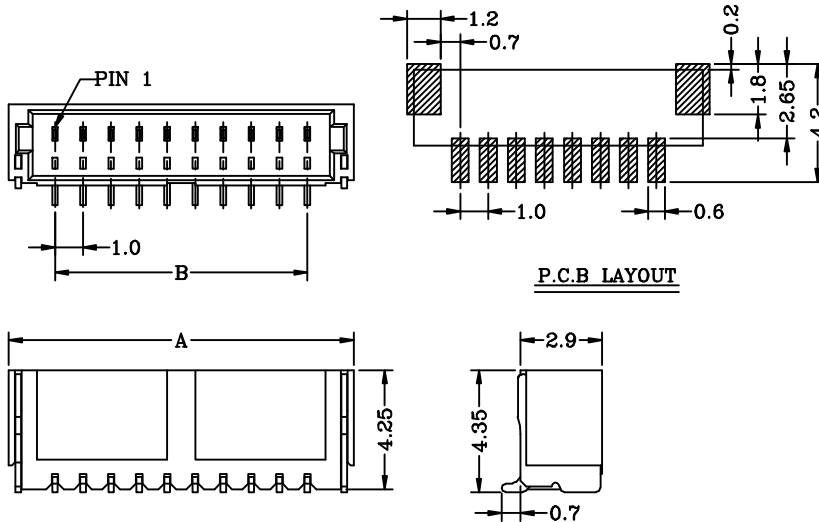
A1002 Series 1.00mm pitch single row (V-SMT) wafer



Features:

- * Material : Insulator: Nylon 6T UL 94V-0 (Milky Yellow)
Contact Post: 0.20mm^t Phosphor Bronze, Tin-plated
Solder Tab: 0.20mm^t Brass, Tin-plated
- * Mates with JWT A1002 series single row socket
- * JWT P/N : A1002WV0-NPS-**

Dimensional Information:



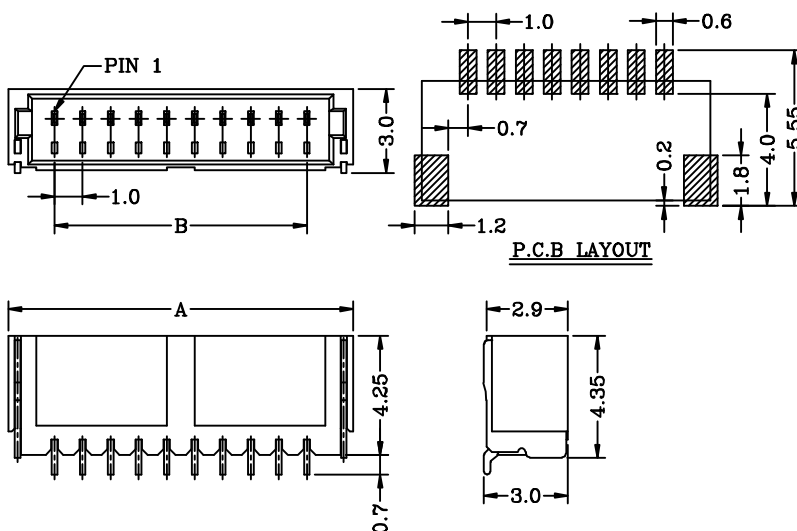
Circuits	Dimensions		Pcs/Reel
	A	B	
2	4.3	1.0	1000
3	5.3	2.0	1000
4	6.3	3.0	1000
5	7.3	4.0	1000
6	8.3	5.0	1000
7	9.3	6.0	1000
8	10.3	7.0	1000
9	11.3	8.0	1000
10	12.3	9.0	1000
11	13.3	10.0	1000
12	14.3	11.0	1000
13	15.3	12.0	1000
14	16.3	13.0	1000
15	17.3	14.0	1000
20	22.3	19.0	1000

A1002 Series 1.00mm pitch single row (R-SMT) wafer

Features:

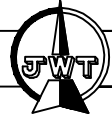
- * Material : Insulator: Nylon 6T UL 94V-0 (Milky Yellow)
Contact Post: 0.20mm^t Phosphor Bronze, Tin-plated
Solder Tab: 0.20mm^t Brass, Tin-plated
- * Mates with JWT A1002 series single row socket
- * JWT P/N : A1002WR0-NPS-**

Dimensional Information:



Circuits	Dimensions		Pcs/Reel
	A	B	
2	4.3	1.0	2500
3	5.3	2.0	2500
4	6.3	3.0	2500
5	7.3	4.0	2500
6	8.3	5.0	2500
7	9.3	6.0	2500
8	10.3	7.0	2500
9	11.3	8.0	2500
10	12.3	9.0	2500
11	13.3	10.0	2500
12	14.3	11.0	2500
13	15.3	12.0	2500
14	16.3	13.0	2500
15	17.3	14.0	2500
20	22.3	19.0	2500

A1002 Series 1.00mm pitch single row (V-SMT) wafer

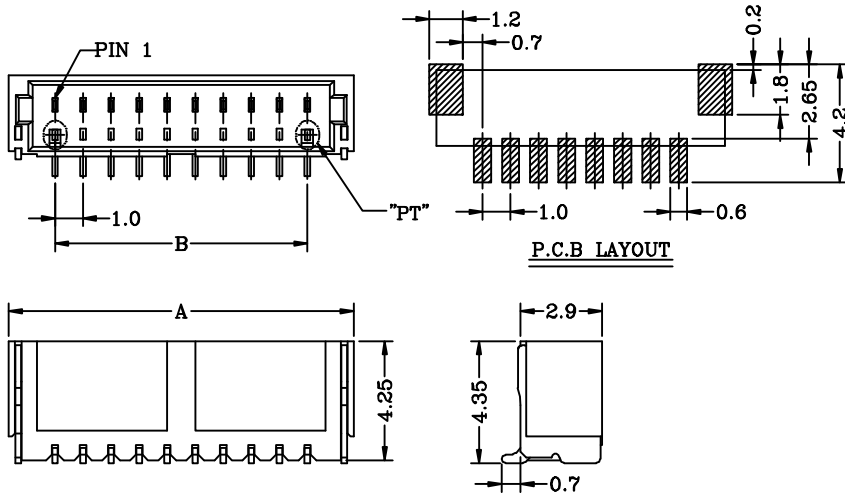


Features:

- * Material : Insulator: Nylon 6T UL 94V-0 (Milky Yellow)
Contact Post: 0.20mm^t Phosphor Bronze, Matte-Tin plated
Solder Tab: 0.20mm^t Brass, Matte-Tin plated
- * Mates with JWT A1002 series single row socket
- * JWT P/N : A1002WV0-NPS-5e-PT
- * PT--Inner Protrusion Lock

Dimensional Information:

Circuits	Dimensions		Pcs/Reel
	A	B	
2	4.3	1.0	1000
3	5.3	2.0	1000
4	6.3	3.0	1000
5	7.3	4.0	1000
6	8.3	5.0	1000
7	9.3	6.0	1000
8	10.3	7.0	1000
9	11.3	8.0	1000
10	12.3	9.0	1000
11	13.3	10.0	1000
12	14.3	11.0	1000
13	15.3	12.0	1000
14	16.3	13.0	1000
15	17.3	14.0	1000
20	22.3	19.0	1000



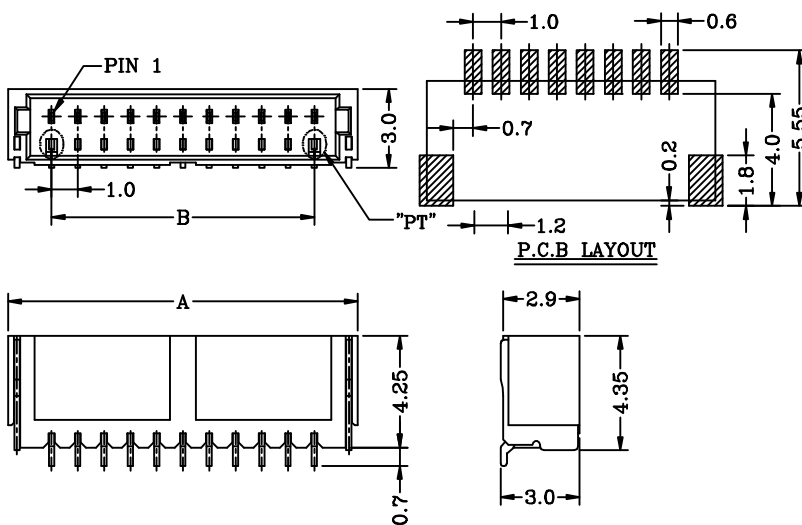
A1002 Series 1.00mm pitch single row (R-SMT) wafer

Features:

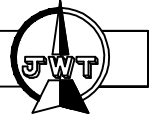
- * Material : Insulator: Nylon 6T UL 94V-0 (Milky Yellow)
Contact Post: 0.20mm^t Phosphor Bronze, Matte Tin-plated
Solder Tab: 0.20mm^t Brass, Matte Tin-plated
- * Mates with JWT A1002 series single row socket
- * JWT P/N : A1002WR0-NPS-5e-PT
- * PT--Inner Protrusion Lock

Dimensional Information:

Circuits	Dimensions		Pcs/Reel
	A	B	
2	4.3	1.0	2500
3	5.3	2.0	2500
4	6.3	3.0	2500
5	7.3	4.0	2500
6	8.3	5.0	2500
7	9.3	6.0	2500
8	10.3	7.0	2500
9	11.3	8.0	2500
10	12.3	9.0	2500
11	13.3	10.0	2500
12	14.3	11.0	2500
13	15.3	12.0	2500
14	16.3	13.0	2500
15	17.3	14.0	2500
20	22.3	19.0	2500

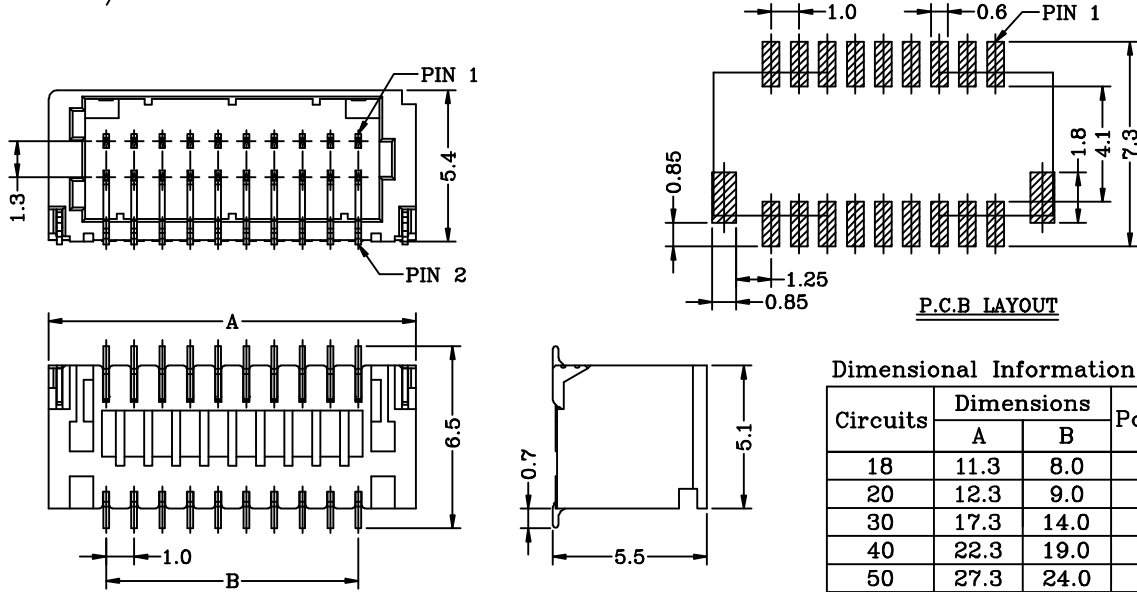


A1002 Series 1.00mm pitch dual row (R-SMT) wafer



Features:

- * Material : Insulator: Nylon 6T UL 94V-0 (Milky Yellow)
Contact Post: 0.20mm^t Phosphor Bronze, Gold-plated
Solder Tab: 0.20mm^t Brass, Tin-plated
- * Mates with JWT A1002 series dual row socket
- * JWT P/N : A1002WR0-2xNPS-**



A1002 Series 1.00mm pitch dual row (V-SMT) wafer

Features:

- * Material : Insulator: Nylon 6T UL 94V-0 (Milky Yellow)
Contact Post: 0.20mm^t Phosphor Bronze, Gold-plated
Solder Tab: 0.20mm^t Brass, Tin-plated
- * Mates with JWT A1002 series dual row socket
- * JWT P/N : A1002WV0-2xNPS-**

