



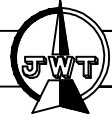
Specifications:

Poles	8,14,20,30 Poles
Pitch between poles	1.00mm
Rated Voltage	100V AC,DC
Rated Current	0.5A (AWG #30)
	0.3A (AWG #32)
Withstand Voltage	300V AC/minute
Contact Resistance	30mΩ (MAX.)
Insulation Resistance	500MΩ (MIN.)
Temperature Range	-35~+85°C
Applicable Wire Range	AWG #30~#32

 UL Recognized No. E144544
 RoHS II-specification and
 Halogen-free products.

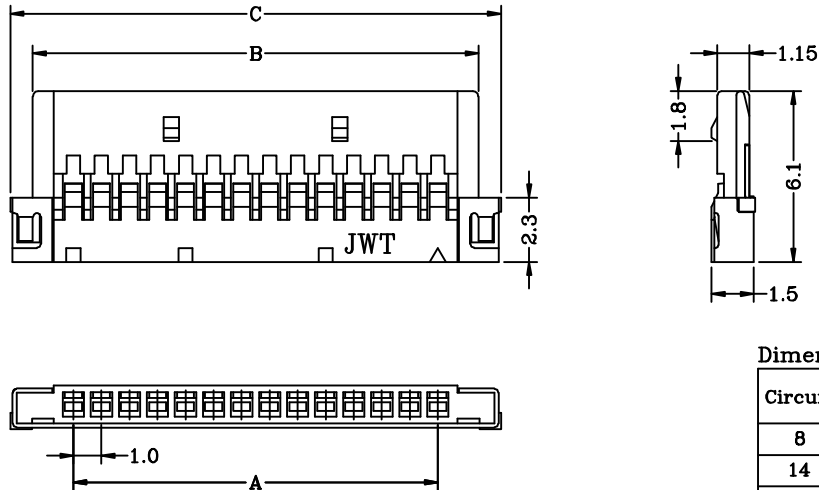
Note: Not applicable to all parts. For specific safety and compliance issues, contact JWT for details.

A1004 Series 1.00mm pitch crimp terminal socket



Features:

- * Material : Insulator: Nylon 66 UL 94V-0 (Grey)
Shell: 0.15mm^t Copper Alloy, Tin plated
- * Suitable for JWT A1004 series terminal
- * JWT P/N : A1004HS0-NP-**



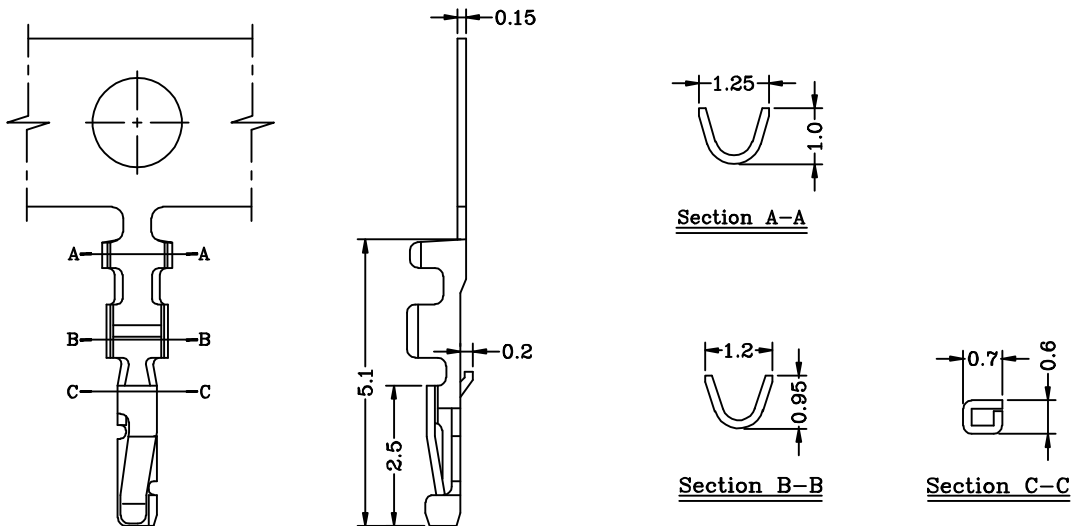
Dimensional & Ordering Information:

Circuits	Dimensions			Pcs/Box
	A	B	C	
8	7.0	9.9	11.5	1000
14	13.0	15.9	17.5	1000
20	19.0	21.9	23.5	1000
30	29.0	31.9	33.5	1000

A1004 Series 1.00mm pitch crimp terminal

Features:

- * Used in JWT A1004 series socket



Specification & Ordering Information:

Part No	Wire Range	Insulation O.D.	Material	Finish	Qty/reel
A1004TOP-2	AWG #30~#32	0.80mm(max)	Phosphor bronze	Tin-plated	20,000 pcs
A1004TOP-0*	AWG #30~#32	0.80mm(max)	Phosphor bronze	Au over Nickel	20,000 pcs

Note: * (eg. 0, A, B...) designates Au-plate thickness identification.
For availability, delivery and MOQ, contact JWT.