


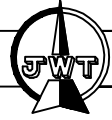
Specifications:

Poles	20,30,40,50 Poles
Pitch between poles	1.00mm
Rated Voltage	50V AC,DC
Rated Current	1A (AWG #28)
Withstand Voltage	500V AC/minute
Contact Resistance	30mΩ (MAX.)
Insulation Resistance	100MΩ (MIN.)
Temperature Range	-25~+85°C
Applicable Wire Range	AWG #28~#32

 RoHS II-specification and Halogen-free products.

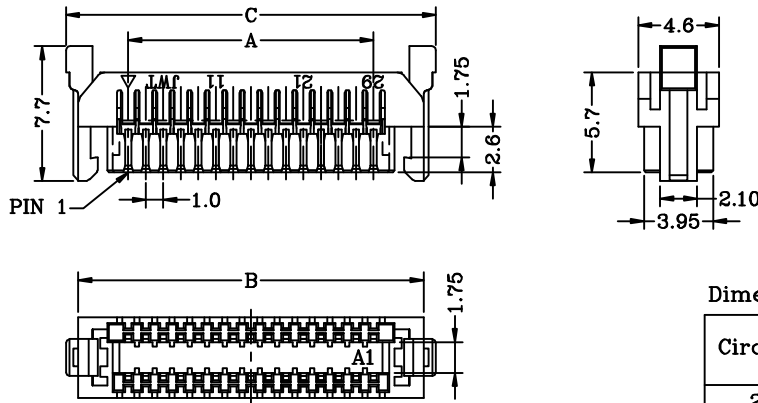
Note: Not applicable to all parts. For specific safety and compliance issues, contact JWT for details.

A1007 Series 1.00mm pitch dual row crimp terminal socket



Features:

- * Material : Insulator: Nylon 66 UL 94V-0 (White)
- * Suitable for JWT A1007 series terminal
- * JWT Part No.: A1007H00-2xNP-HK



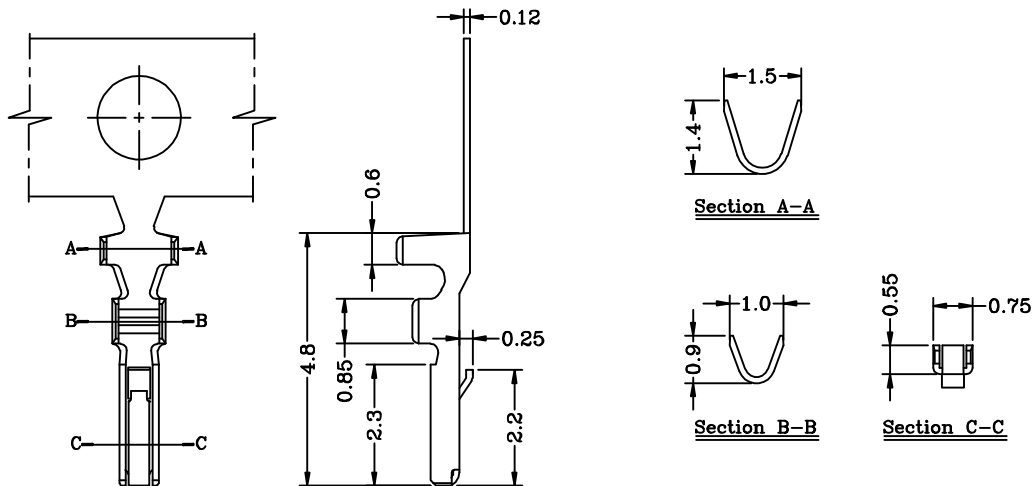
Dimensional & Ordering Information:

Circuits	Dimensions			Pcs/Bag
	A	B	C	
20	9.0	14.7	16.1	1,000
30	14.0	19.7	21.1	1,000
40	19.0	24.7	26.1	1,000
50	24.0	29.7	31.1	1,000

A1007 Series 1.00mm pitch crimp terminal

Features:

- * Used in JWT A1007 series socket

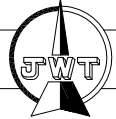


Specification & Ordering Information:

Part No	Wire Range	Insulation O.D.	Material	Finish	Qty/reel
A1007TOP-2	AWG #28~#32	0.80mm(max)	Phosphor bronze	Tin-Plated	20,000 pcs
A1007TOP-0*	AWG #28~#32	0.80mm(max)	Phosphor bronze	Au over Nickel	20,000 pcs

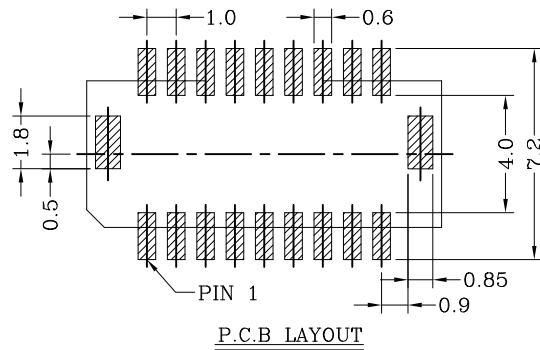
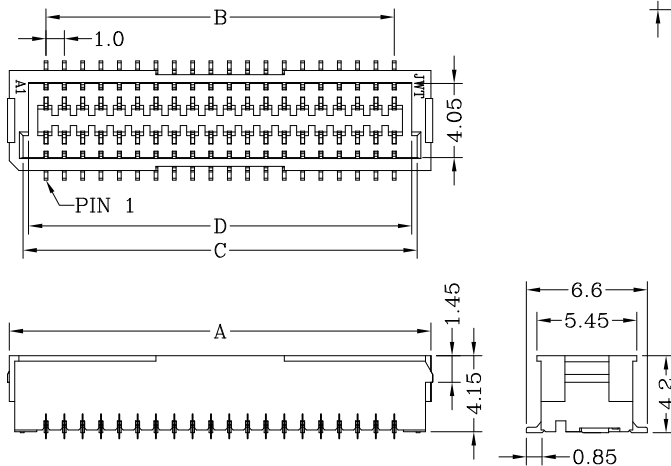
Note: * (eg. 0, A, B...) designates Au-plate thickness identification.
For availability, delivery and MOQ, contact JWT.

A1007 Series 1.00mm pitch dual row (V-SMT) wafer



Features:

- * Material : Insulator: Nylon 6T UL 94V-0 (Milky Yellow)
Contact Post: 0.20mm^t Phosphor Bronze, Gold-plated
Solder Tab: 0.20mm^t Brass, Matte Tin-plated
- * Mates with JWT A1007H00-2xNP-HK series socket
- * JWT P/N : A1007WV0-2xNPS



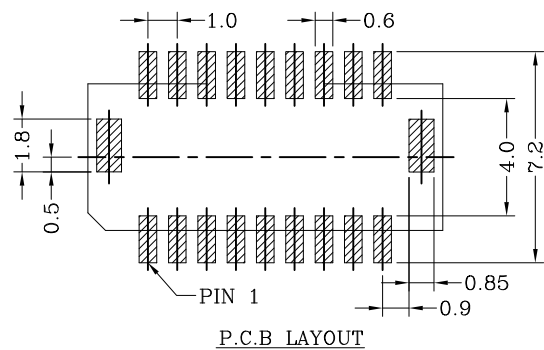
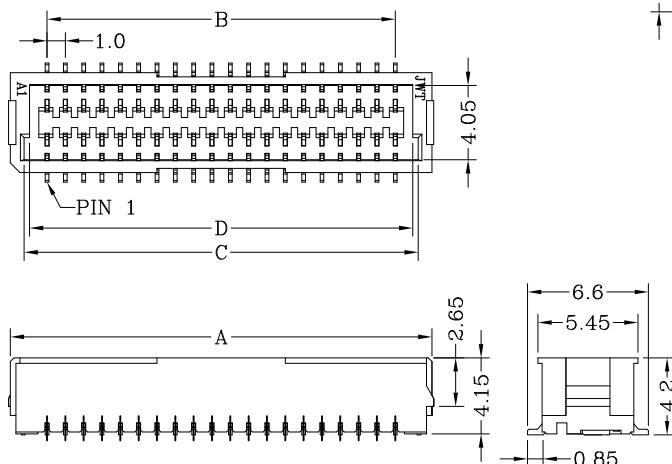
Dimensional & Ordering Information:

Circuits	Dimensions				Pcs/Reel
	A	B	C	D	
20	13.0	9.0	11.5	10.9	1,000
30	18.0	14.0	16.5	15.9	1,000
40	23.0	19.0	21.5	20.9	1,000
50	28.0	24.0	26.5	25.9	1,000

A1007 Series 1.00mm pitch dual row (V-SMT) wafer

Features:

- * Material : Insulator: Nylon 6T UL 94V-0 (Milky Yellow)
Contact Post: 0.20mm^t Phosphor Bronze, Gold-plated
Solder Tab: 0.20mm^t Brass, Matte Tin-plated
- * Mates with JWT A1007H00-2xANP-HK series socket
- * JWT P/N : A1007WV0-2xANPS



Dimensional & Ordering Information:

Circuits	Dimensions				Pcs/Reel
	A	B	C	D	
20	13.0	9.0	11.5	10.9	1,000
30	18.0	14.0	16.5	15.9	1,000
40	23.0	19.0	21.5	20.9	1,000
50	28.0	24.0	26.5	25.9	1,000