


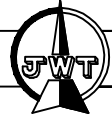
### Specifications:

Poles	6 Poles
Pitch between poles	1.00mm
Rated Voltage	30V AC,DC
Rated Current	1.5A (MAX)
Withstand Voltage	300V AC/minute
Contact Resistance	30mΩ (MAX.)
Insulation Resistance	100MΩ (MIN.)
Temperature Range	-40~+85°C
Applicable Wire Range	AWG #18~#28

 RoHS II-specification and Halogen-free products.

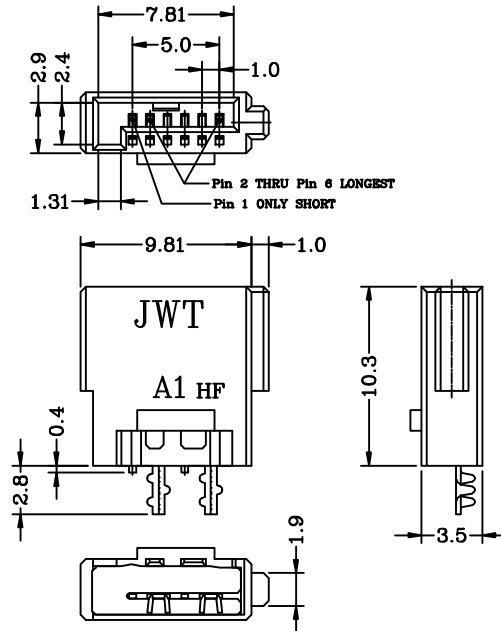
Note: Not applicable to all parts. For specific safety and compliance issues, contact JWT for details.

# A1009 Series 1.00mm pitch SATA female connector



## Features:

- \* Material: Insulator: Nylon 66 UL 94V-0 (Black)  
Contact Post: 0.25mm<sup>t</sup> Phosphor Bronze, Gold Plated.
- \* JWT Part No.: A1009HS0-A6P-HF



# A1009 Series 1.00mm pitch SATA female connector

## Features:

- \* Material: Insulator: Nylon 66 / PBT UL 94V-0 +30%G.F (Black)  
Contact Post: 0.25mm<sup>t</sup> Phosphor Bronze, Gold Plated.
- \* JWT Part No.: A1009HS0-6P-\*\*

