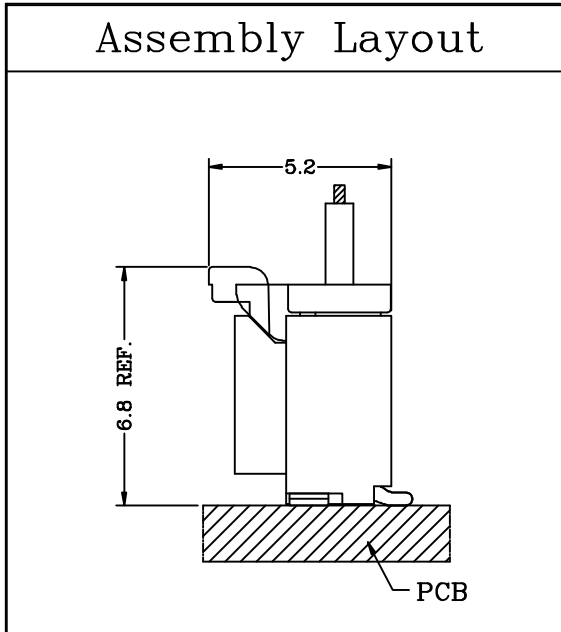


Assembly Layout



Specifications:

Poles	6,8 Poles
Pitch between poles	1.00mm
Rated Voltage	50V AC,DC
Rated Current	1A (AWG #28)
	0.8A (AWG #30~32)
Withstand Voltage	250V AC/minute
Contact Resistance	20mΩ (MAX.)
Insulation Resistance	100MΩ (MIN.)
Temperature Range	-40°~+85°C
Applicable Wire Range	AWG #28~#32

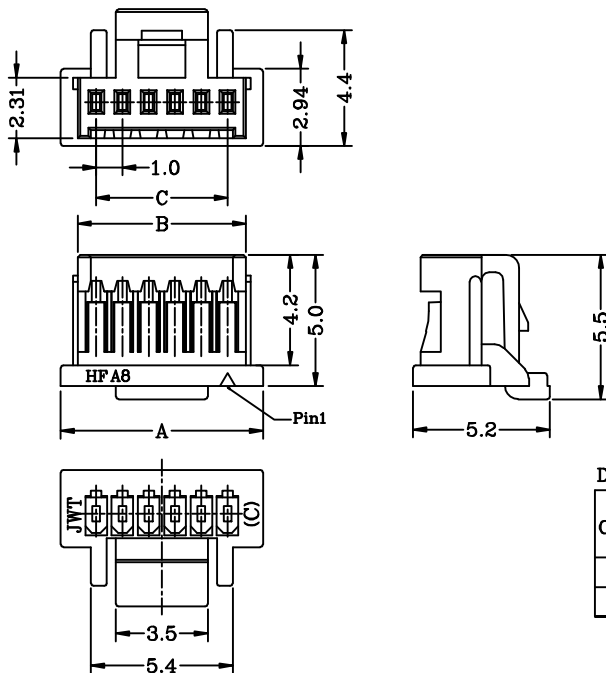


RoHS II-specification and Halogen-free products.

Note: Not applicable to all parts. For specific safety and compliance issues, contact JWT for details.

Features:

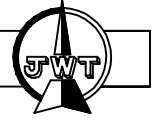
- * Material : Insulator: Nylon 66 UL 94V-0 (White)
- * Suitable for JWT A1010 series terminal
- * JWT Part No.: A1010H00-NP



Dimensional & Ordering Information:

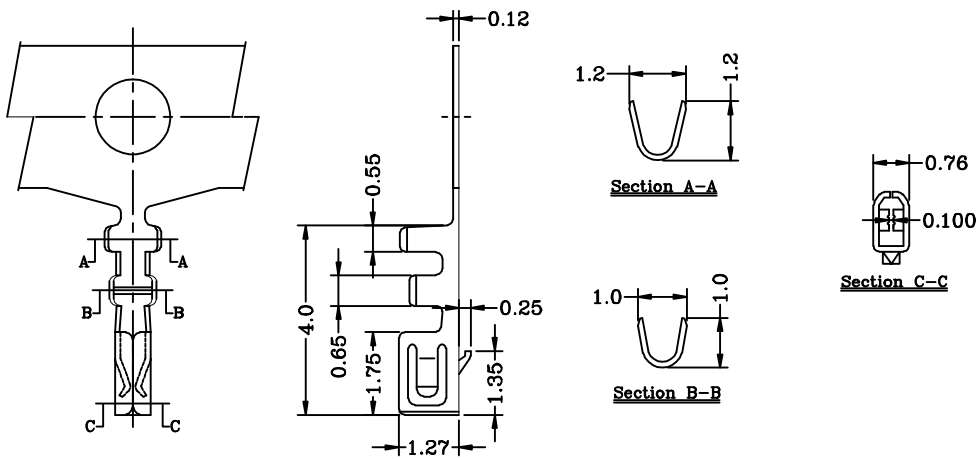
Circuits	Part No.	Dimensions			Pcs/Bag
		A	B	C	
6	A1010H00-6P	7.7	6.40	5.00	1,000
8	A1010H00-8P	9.7	8.40	7.00	1,000

A1010 Series 1.00mm pitch crimp terminal



Features:

- * Used in JWT A1010 series socket



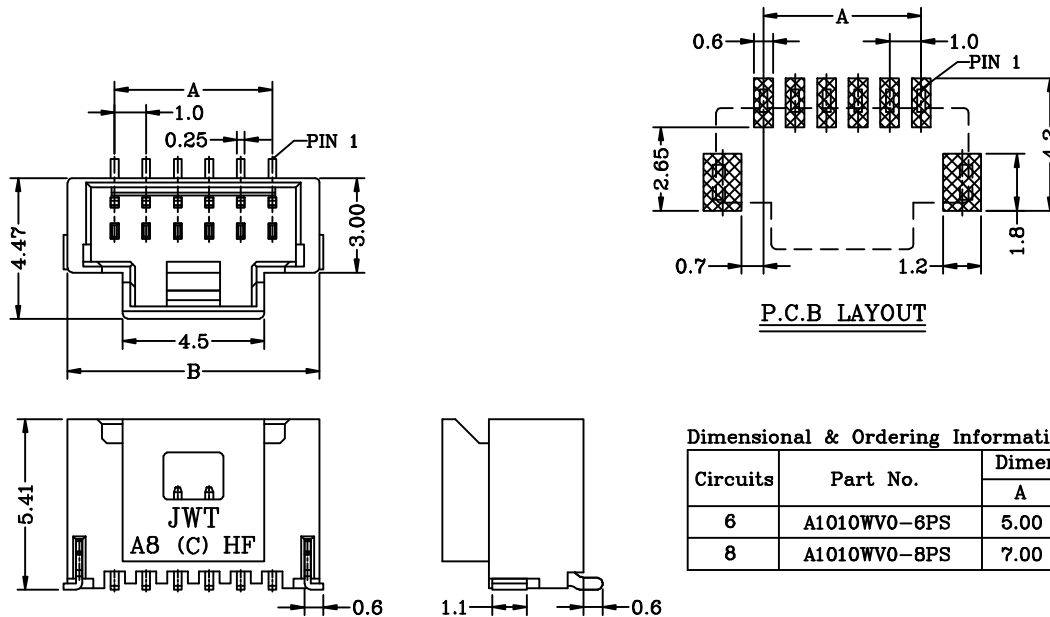
Specification & Ordering Information:

Part No	Wire Range	Insulation O.D.	Material	Finish	Qty/Reel
A1010TOP-2	AWG #28~#32	0.80mm(max)	Phosphor bronze	Tin-Plated	20,000 pcs

A1010 Series 1.00mm pitch dual row (V-SMT) wafer

Features:

- * Material: Insulator: Nylon 6T UL 94V-0 (Milky Yellow)
Contact Post: Phosphor Bronze, Matte Tin-plated
Solder Tab: 0.20mm^t Brass, Matte Tin-plated
- * Suitable for JWT A1010 series socket
- * JWT Part No.: A1010WV0-NPS



Dimensional & Ordering Information:

Circuits	Part No.	Dimensions		Qty/Reel
		A	B	
6	A1010WV0-6PS	5.00	8.00	1000
8	A1010WV0-8PS	7.00	10.00	1000