

### Specifications:

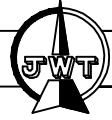
Poles	2~6 Poles
Pitch between poles	1.20mm
Rated Voltage	50V AC,DC
Rated Current	1A (AWG #30)
	1.5A (AWG #28)
Withstand Voltage	500V AC/minute
Contact Resistance	20mΩ (MAX.)
Insulation Resistance	100MΩ (MIN.)
Temperature Range	-25~+85°C
Applicable Wire Range	AWG #28~#30



RoHS II-specification and Halogen-free products.

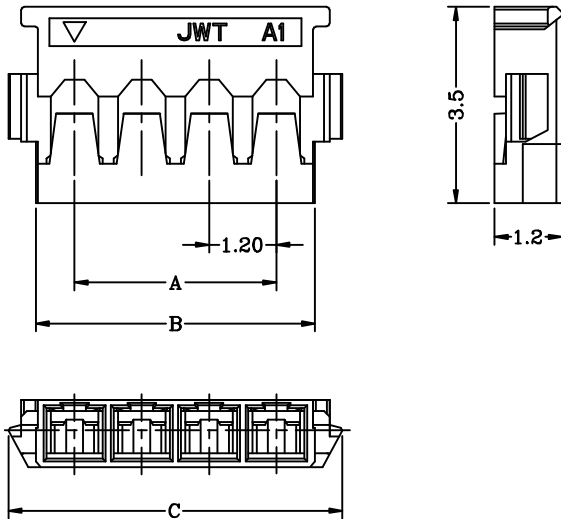
Note: Not applicable to all parts. For specific safety and compliance issues, contact JWT for details.

# A1201 Series 1.20mm pitch crimp terminal socket



**Features:**

- \* Material : LCP UL 94V-0 (Black)
- \* Suitable for JWT A1201 series terminal
- \* JWT P/N : A1201H00-NP



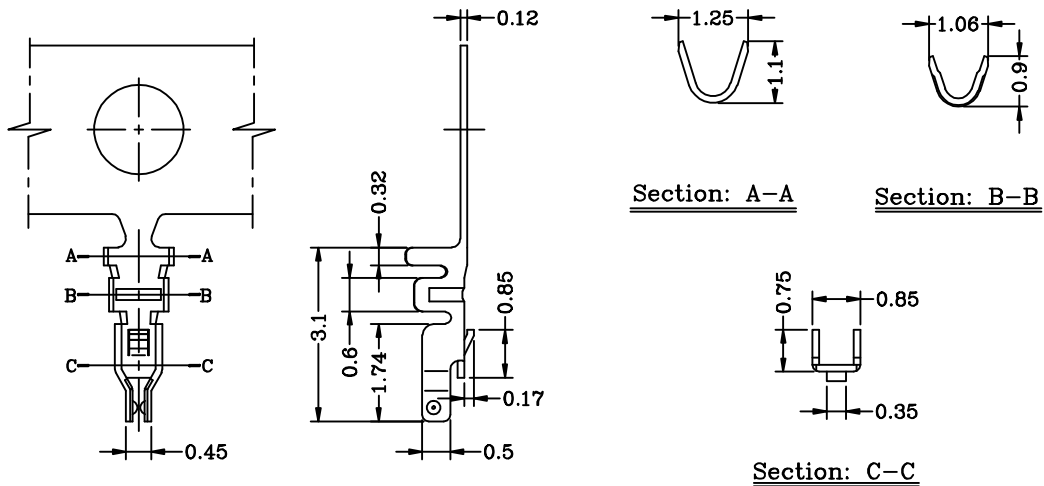
**Dimensional & Ordering Information:**

Circuits	Dimensions			Pcs/Bag
	A	B	C	
2	1.2	2.58	3.55	1000
3	2.4	3.78	4.75	1000
4	3.6	4.98	5.95	1000
5	4.8	6.18	7.15	1000
6	6.0	7.38	8.35	1000

# A1201 Series 1.20mm pitch crimp terminal

**Features:**

- \* Used in JWT A1201 series socket

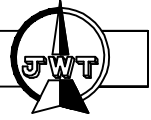


**Specification & Ordering Information:**

Part No.	Wire Range	Insulation O.D.	Material	Finish	Qty/reel
A1201TOP-0*	AWG #28~#30	0.88mm(max)	Phosphor bronze	Au over Nickel	20,000 pcs

Note: \* (eg. 0, A, B...) designates Au-plate thickness identification.  
For availability, delivery and MOQ, contact JWT.

# A1201 Series 1.20mm pitch (R-SMT) wafer



## Features:

- \* Material : Insulator: LCP UL 94V-0 (Black)  
Contact Post: 0.20mm<sup>t</sup> Brass, Au-plated(Au over Nickel)  
Solder Tab: 0.20mm<sup>t</sup> Brass, Matte Tin-Plated
- \* Mates with JWT A1201 series socket
- \* JWT P/N : A1201WR0-NPS

