


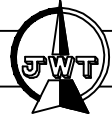
Specifications:

Poles	6 Poles
Pitch between poles	1.50mm
Rated Voltage	100V AC,DC
Rated Current	2A (AWG #26)
Withstand Voltage	500V AC/minute
Contact Resistance	20mΩ (MAX.)
Insulation Resistance	500MΩ (MIN.)
Temperature Range	-25~+85°C
Applicable Wire Range	AWG #26~#28

 RoHS II-specification and Halogen-free products.

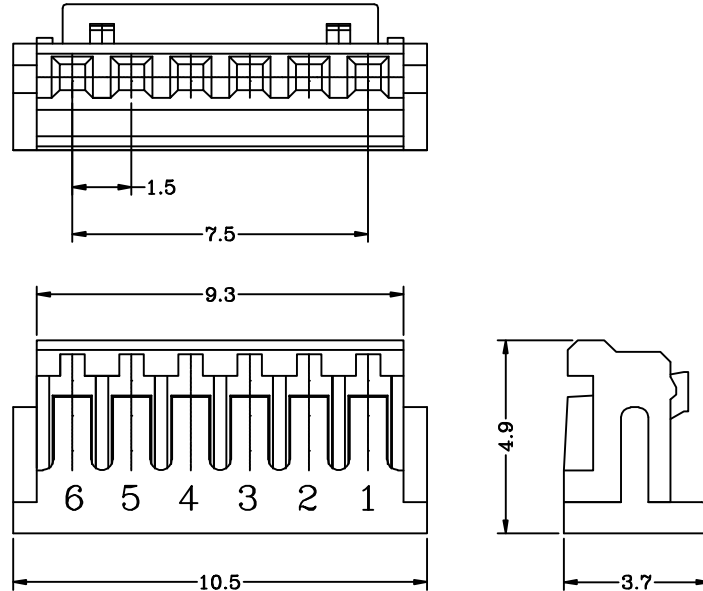
Note: Not applicable to all parts. For specific safety and compliance issues, contact JWT for details.

A1502 Series 1.50mm pitch crimp terminal socket



Features:

- * Material : Nylon 66 UL 94V-0 (White)
- * Suitable for JWT A1501 series terminal
- * JWT P/N : A1502H00-6P



A1502 Series 1.50mm pitch (V-SMT) wafer

Features:

- * Material : Insulator: Nylon 6T UL 94V-0 (Milky Yellow)
 Contact Post: □ 0.50mm Brass, Matte Tin-plated
 Solder Tab: 0.30mm^t Brass, Matte Tin-plated
- * Mates with JWT A1502H00-6P
- * JWT P/N : A1502WV0-6PS

