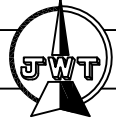
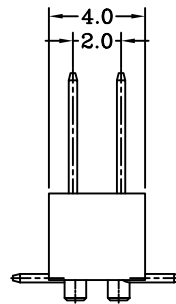
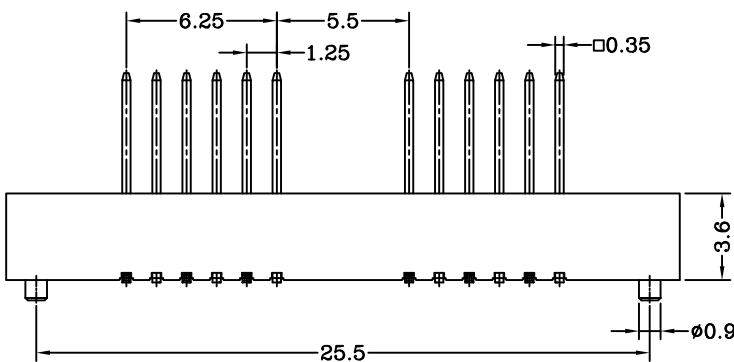
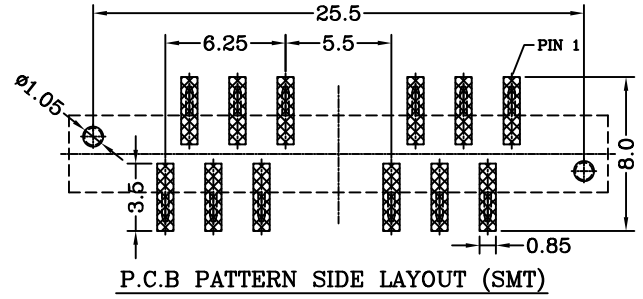
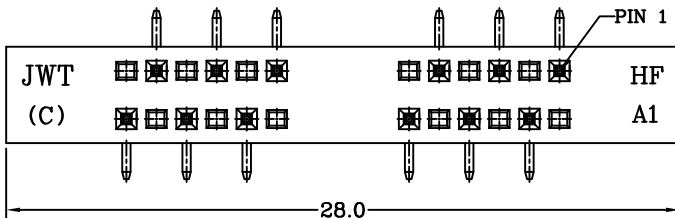


B1254 Series 1.25mm Pitch (V-SMT Boss-type) wafer



Features:

- * Material : Insulator: Nylon 6T UL 94V-0 (Black)
Contact Post: □0.35mm Brass, Matte Tin-plated
- * JWT P/N : B1254WV0-12PS



B1254 Series 1.25mm Pitch (V-SMT Boss-type) wafer

Features:

- * Material : Insulator: Nylon 6T UL 94V-0 (Black)
Contact Post: □0.35mm Brass, Matte Tin-plated
- * JWT P/N : B1254WV0-16PS

