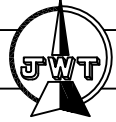
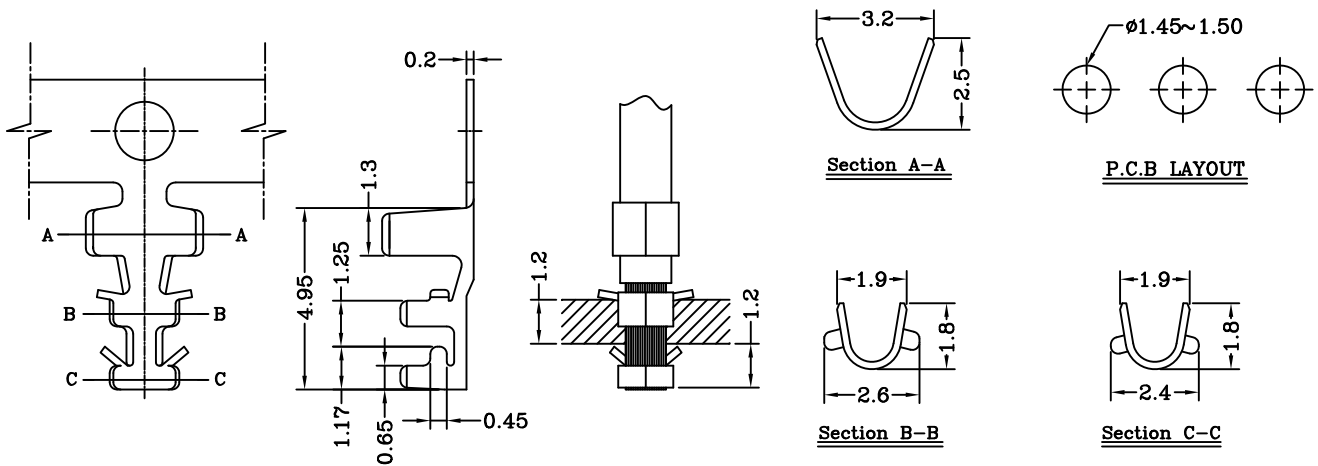


# B1511 Series $\phi 1.50\text{mm}$ Board-in terminal



\* Applicable PCB Thickness: 1.20mm

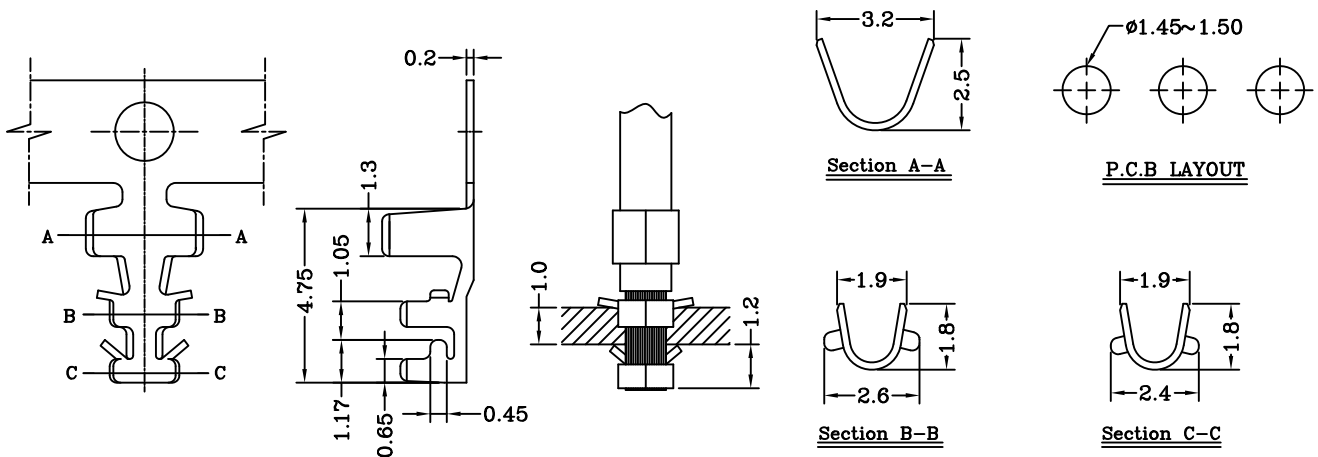


### Specifications & Ordering Information:

Part No	Wire Range	Insulation O.D.	Material	Finish	Qty/Reel	Note
B1511T0P-2e	AWG #22~#24	1.95mm(max)	P. Bronze	Tin-plated	10,000 PCS	e:Stamping before tin plating
B1511T0P-5e	AWG #22~#24	1.95mm(max)	P. Bronze	Matte Tin-plated	10,000 PCS	

# B1511 Series $\phi 1.50\text{mm}$ Board-in terminal

\* Applicable PCB Thickness: 1.00mm



### Specifications & Ordering Information:

Part No	Wire Range	Insulation O.D.	Material	Finish	Qty/Reel	Note
B1511T0*-A2e	AWG #22~#24	1.95mm(max)	Brass/ P. Bronze	Tin-plated	10,000 PCS	e:Stamping before tin plating
B1511T0*-A5e	AWG #22~#24	1.95mm(max)	Brass/ P. Bronze	Matte Tin-plated	10,000 PCS	