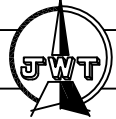
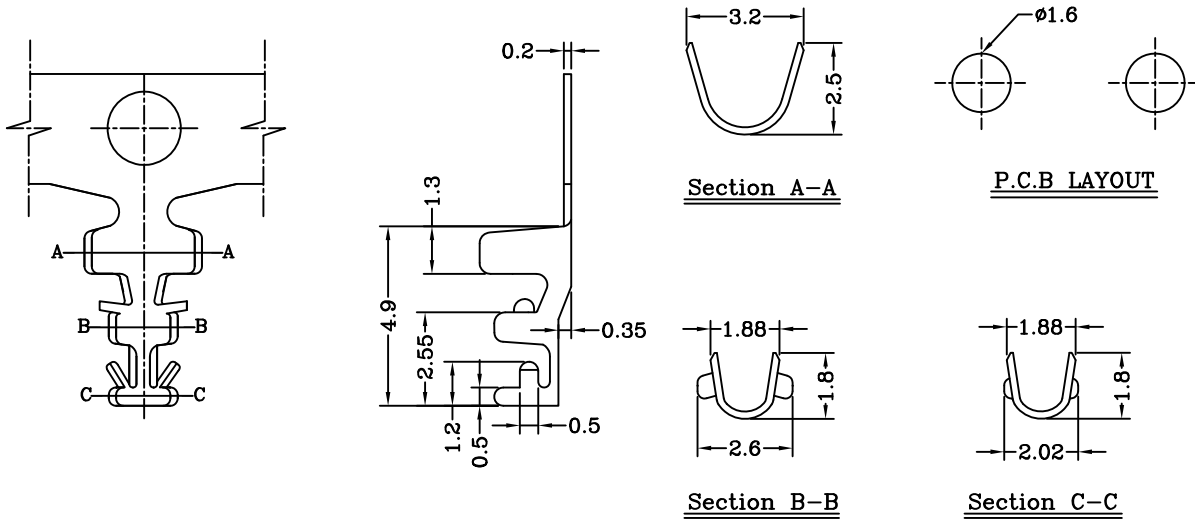


B1612 Series $\phi 1.60\text{mm}$ Board-in terminal



* Applicable PCB Thickness: 1.20mm

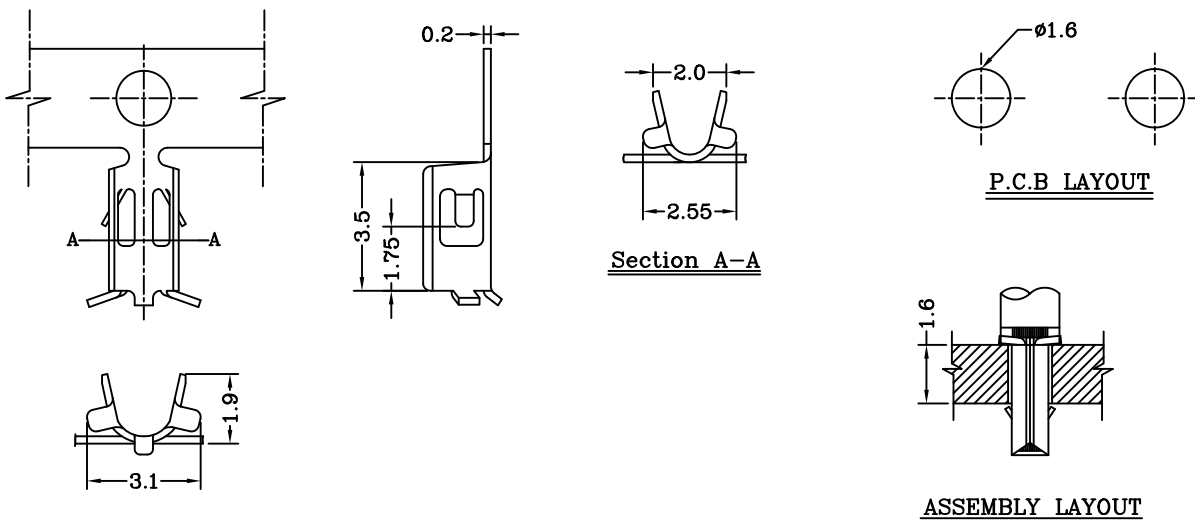


Specifications & Ordering Information:

Part No	Wire Range	Insulation O.D.	Material	Finish	Qty/Reel	Note
B1612TOP-2e	AWG #22~#26	1.95mm(max)	Phosphor bronze	Tin-plated	8,000 PCS	e:Stamping before tin plating
B1612TOP-5e	AWG #22~#26	1.95mm(max)	Phosphor bronze	Matte Tin-plated	8,000 PCS	

B1613 Series $\phi 1.60\text{mm}$ Board-in terminal

* Applicable PCB Thickness: 1.60mm



Specifications & Ordering Information:

Part No	Wire Range	Insulation O.D.	Material	Finish	Qty/Reel	Note
B1613TOP-2e	AWG #22~#26	/	Phosphor bronze	Tin-plated	15,000 PCS	e:Stamping before tin plating
B1613TOP-5e	AWG #22~#26		Phosphor bronze	Matte Tin-plated	15,000 PCS	