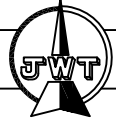
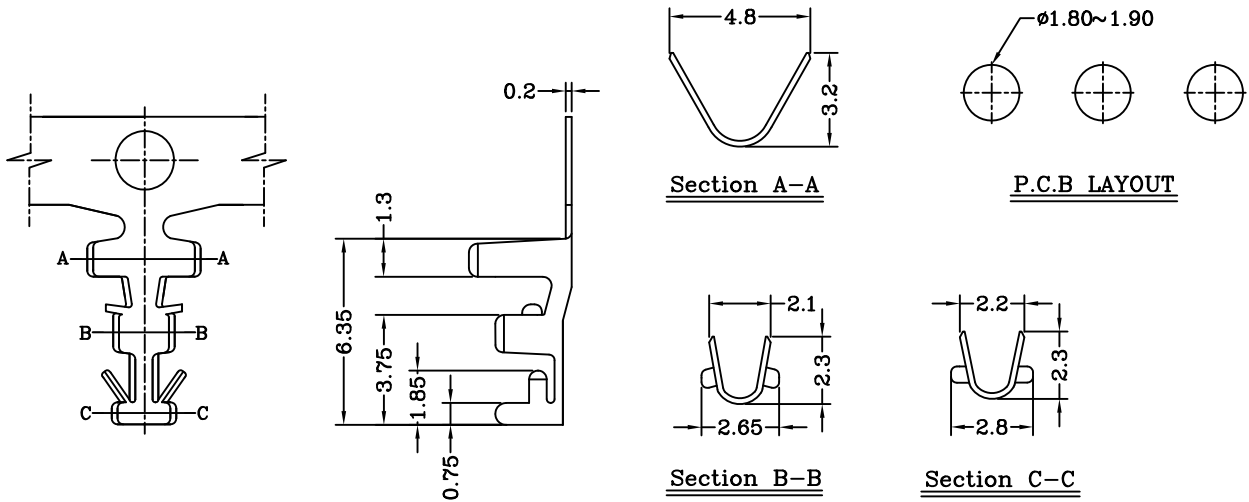


B1811 Series $\phi 1.80\text{mm}$ Board-in terminal



* Applicable PCB Thickness: 1.60mm

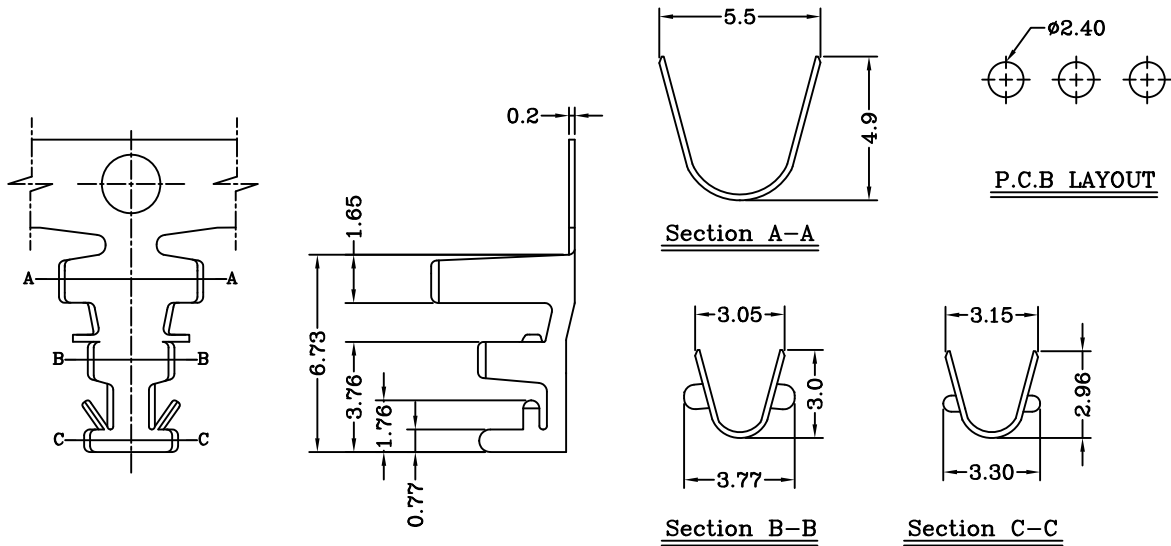


Specifications & Ordering Information:

Part No	Wire Range	Insulation O.D.	Material	Finish	Qty/Reel	Note
B1811T0*-2e	AWG #18~#22	2.10mm(max)	Brass/ P. Bronze	Tin-plated	7,000 PCS	e:Stamping before tin plating

B1811 Series $\phi 2.40\text{mm}$ Board-in terminal

* Applicable PCB Thickness: 1.60mm



Specifications & Ordering Information:

Part No	Wire Range	Insulation O.D.	Material	Finish	Qty/Reel	Note
B1811T2*-2e	AWG #14~#18	3.70mm(max)	Brass/ P. Bronze	Tin-plated	3,000 PCS	e:Stamping before tin plating
B1811T2*-5e	AWG #14~#18	3.70mm(max)	Brass/ P. Bronze	Matte Tin-plated	3,000 PCS	