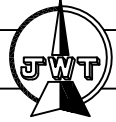
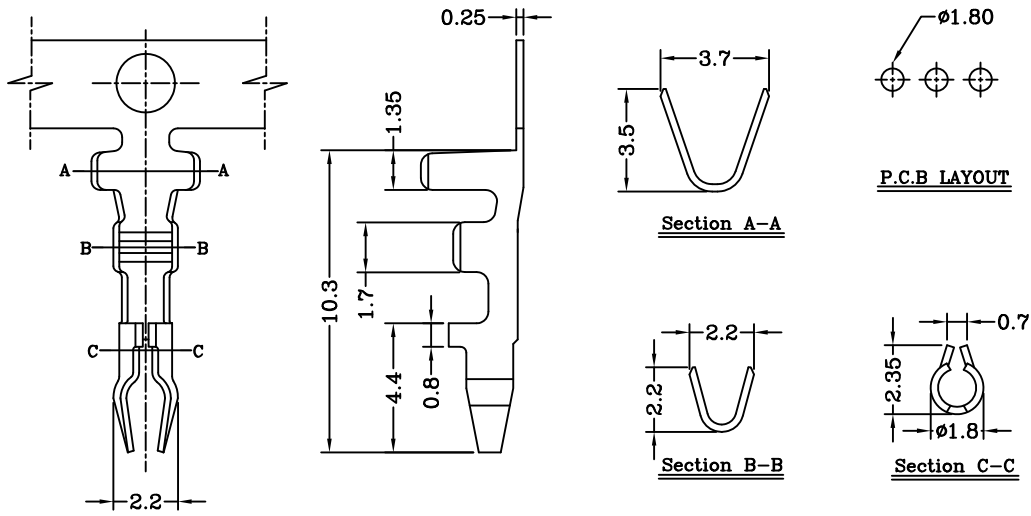


# B1812 Series $\phi 1.80\text{mm}$ Board-in terminal



\* Applicable PCB Thickness: 1.60mm

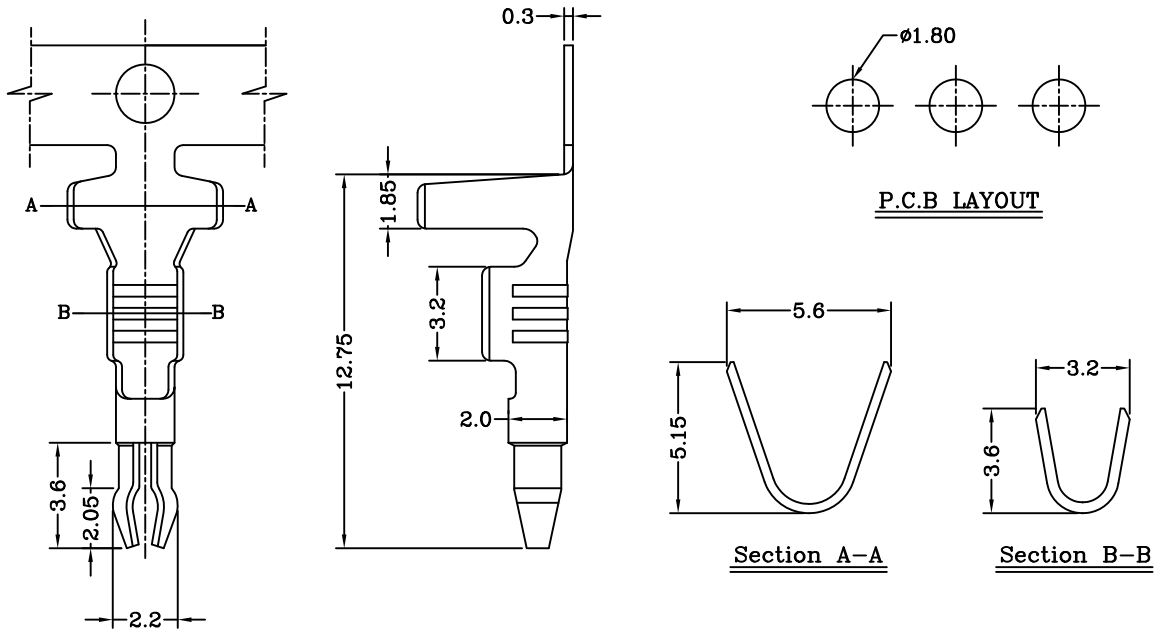


### Specifications & Ordering Information:

Part No	Wire Range	Insulation O.D.	Material	Finish	Qty/Reel	Note
B1812T0*-2e	AWG #18~#26	2.50mm(max)	Brass/ P. Bronze	Tin-plated	6,000 PCS	e:Stamping before tin plating

# B1812 Series $\phi 1.80\text{mm}$ Board-in terminal

\* Applicable PCB Thickness: 1.60mm



### Specifications & Ordering Information:

Part No	Wire Range	Insulation O.D.	Material	Finish	Qty/Reel	NOTE
B1812T2*-2e	AWG #14~#18	3.80mm(max)	Brass/ P. Bronze	Tin-plated	3,000 PCS	e:Stamping before tin plating