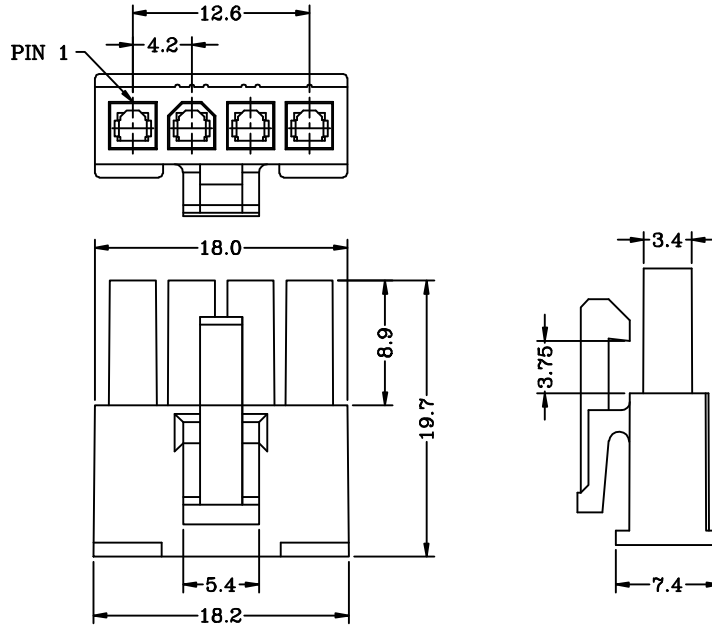


C4202 Series 4.20mm pitch single row terminal socket

Features:

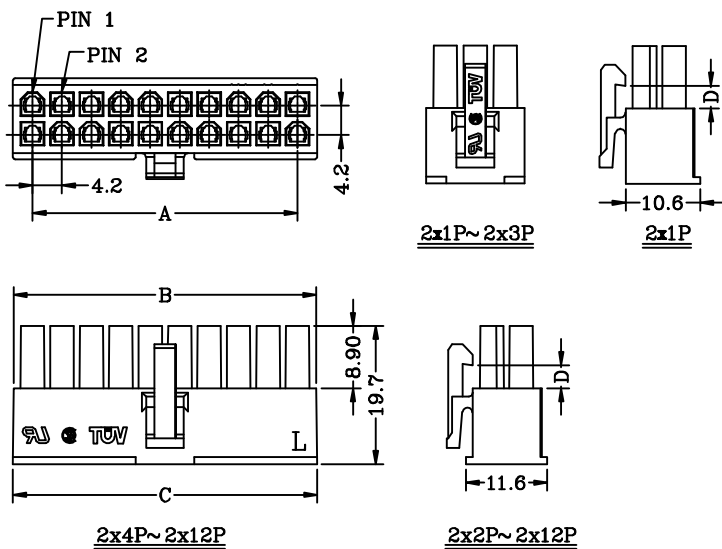
- * Material : Nylon 66 UL 94V-2 (Natural)/ 94V-0 (White)
- * Suitable for JWT C4202 series terminal
- * JWT P/N : C4202H0*-1x4P



C4202 Series 4.20mm pitch dual row terminal socket

Features:

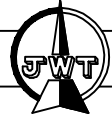
- * Material : Nylon 66 UL 94V-2 (Natural)/ 94V-0 (White)
- * Suitable for JWT C4202 series terminal
- * Mates with JWT C4201 series socket and wafer
- * JWT P/N : C4202H0*-2xNP



Dimensional Information:

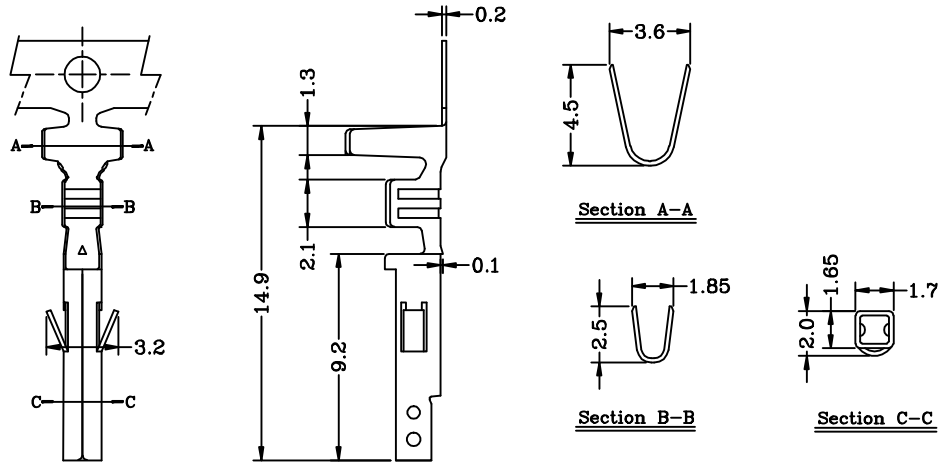
Circuits	Dimensions				PCS/BAG
	A	B	C	D	
2	—	5.4	5.6	3.30	1000
4	4.2	9.6	9.8		1000
6	8.4	13.8	14.0		1000
8	12.6	18.0	18.2	3.75	500
10	16.8	22.2	22.4		500
12	21.0	26.4	26.6		500
14	25.2	30.6	30.8	3.75	500
16	29.4	34.8	35.0		400
18	33.6	39.0	39.2		300
20	37.8	43.2	43.4	3.75	300
22	42.0	47.4	47.6		250
24	46.2	51.6	51.8		250

C4202 Series 4.20mm pitch crimp terminal



Features:

* Used in JWT C4202 series socket



Specifications & Ordering Information:

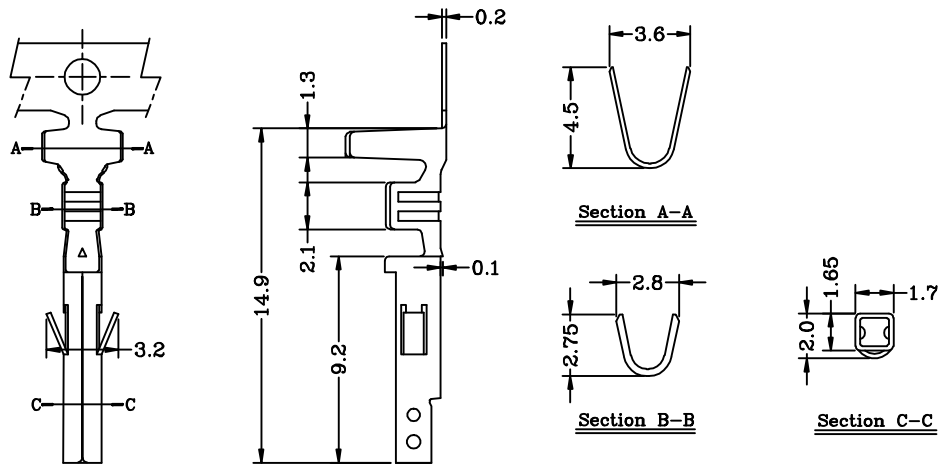
Part No	Wire Range	Insulation O.D.	Material	Finish	Qty/Reel
C4202T0*-2	AWG #18~#22	2.80mm(max)	Brass or P. bronze	Tin-plated	4,000 PCS
C4202T0*-0*	AWG #18~#22	2.80mm(max)	Brass or P. bronze	Au over Nickel	4,000 PCS

Note: 0* (eg. 00, 0A, 0B...) designates Au-plate thickness identification.
For availability, delivery and MOQ, contact JWT.

C4202 Series 4.20mm pitch crimp terminal

Features:

* Used in JWT C4202 series socket

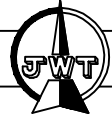


Specifications & Ordering Information:

Part No	Wire Range	Insulation O.D.	Material	Finish	Qty/Reel
C4202T2*-2	AWG #16~#18	2.80mm(max)	Brass or P. bronze	Tin-plated	4,000 PCS
C4202T2*-0*	AWG #16~#18	2.80mm(max)	Brass or P. bronze	Au over Nickel	4,000 PCS

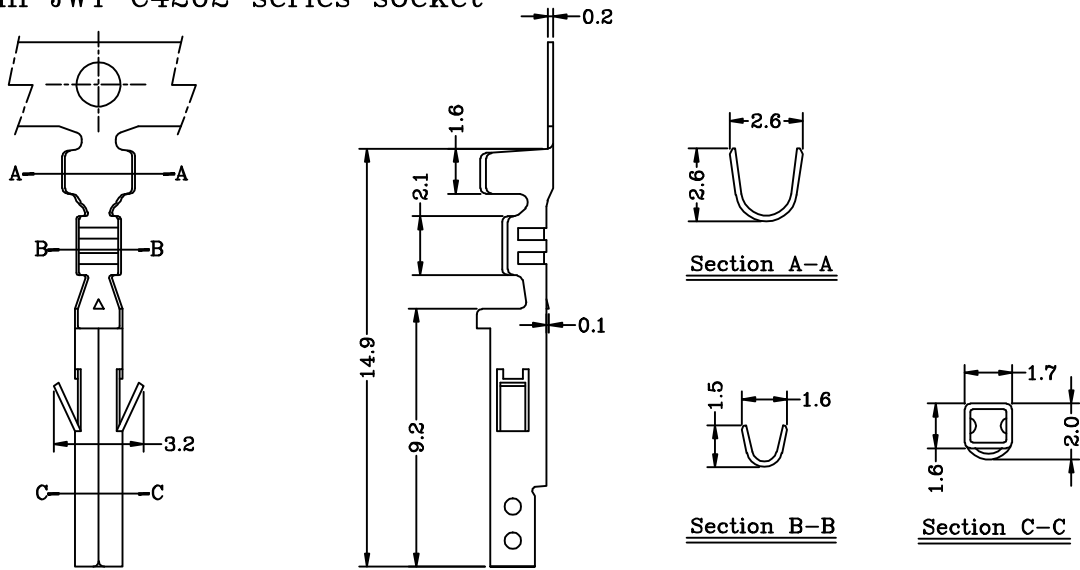
Note: 0* (eg. 00, 0A, 0B...) designates Au-plate thickness identification.
For availability, delivery and MOQ, contact JWT.

C4202 Series 4.20mm pitch crimp terminal



Features:

* Used in JWT C4202 series socket



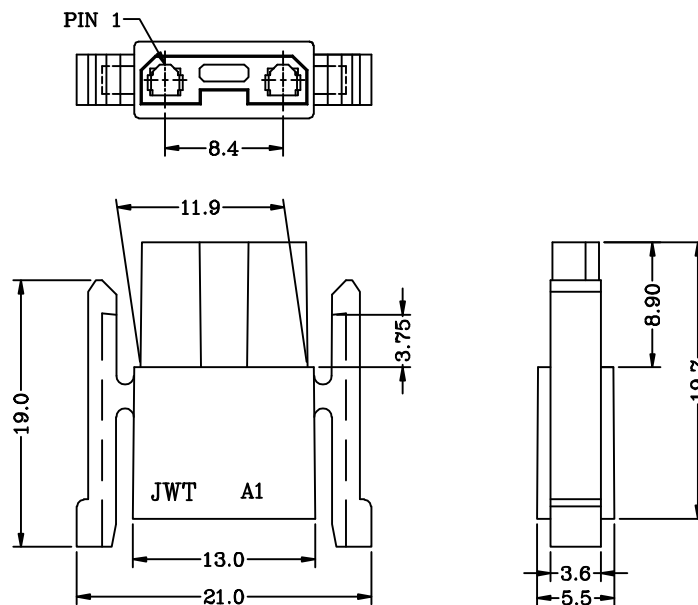
Specifications & Ordering Information:

Part No	Wire Range	Insulation O.D.	Material	Finish	Qty/Reel
C4202T1*-2	AWG #24~#30	1.40mm(max)	Brass or P. bronze	Tin-plated	4,000 PCS

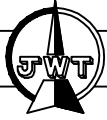
C4202 Series 8.40mm pitch single row terminal socket

Features:

- * Material : Nylon 66 UL 94V-0 (Black)
- * Suitable for JWT C4202 series terminal
- * Mates with JWT C4201WR0-1x3PSL-D
- * JWT P/N : C4202H00-1x3P-SL



C4202 Series 4.20mm pitch single row terminal socket



Features:

- * Material : Nylon 66 UL 94V-0 (Black)
- * Suitable for JWT C4202 series terminal
- * Mates with JWT C4201WR0-1x4PSL-D
- * JWT P/N : C4202H00-1x4P-SL

